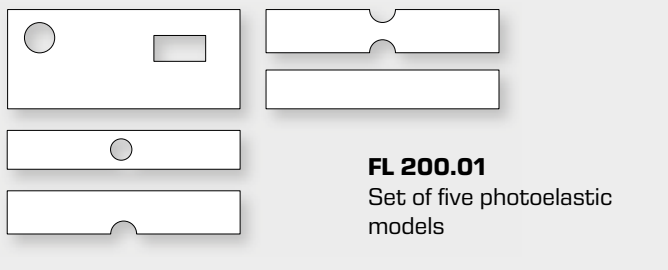
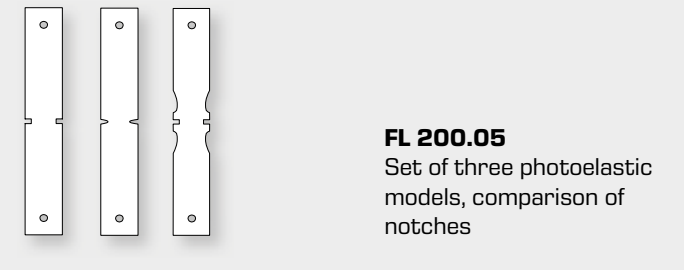
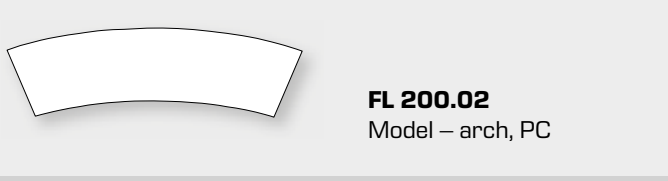
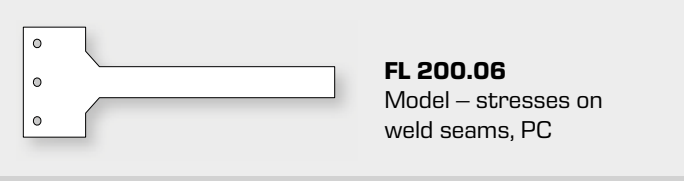

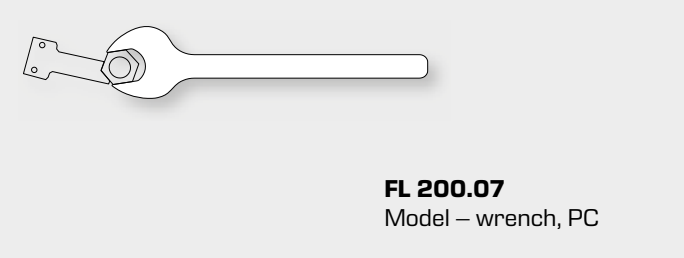
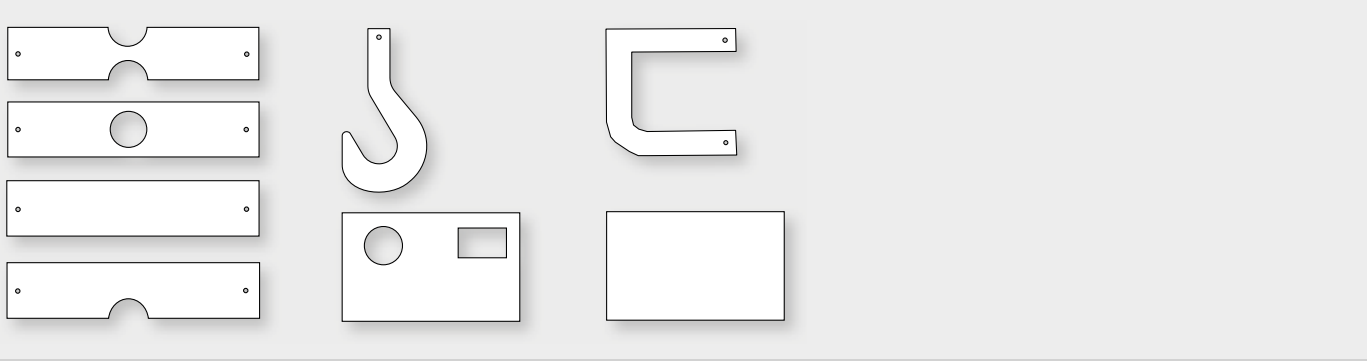


# FL 200 and FL 210: representation of stress distribution in component models

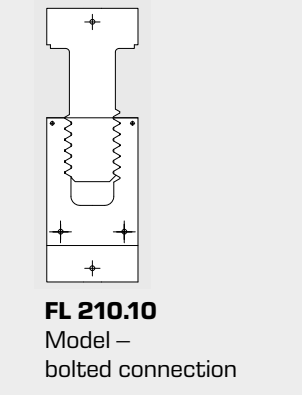
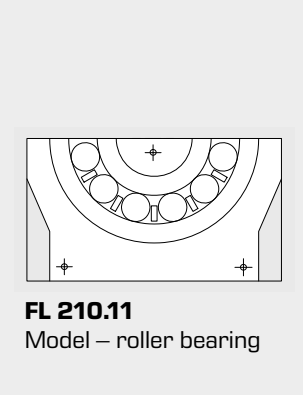

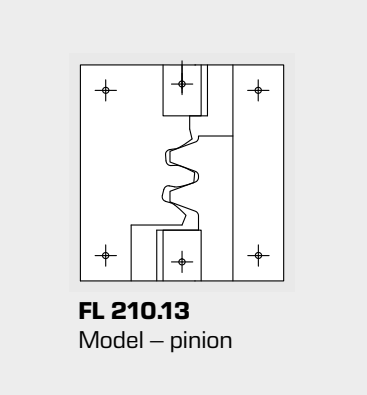
## Models for photoelastic experiments with a transmission polariscope (FL 200)

 <p><b>FL 200.01</b> Set of five photoelastic models</p>	 <p><b>FL 200.05</b> Set of three photoelastic models, comparison of notches</p>
 <p><b>FL 200.02</b> Model – arch, PC</p>	 <p><b>FL 200.06</b> Model – stresses on weld seams, PC</p>
 <p><b>FL 200.03</b> Model – crane hook, PC</p>	 <p><b>FL 200.07</b> Model – wrench, PC</p>

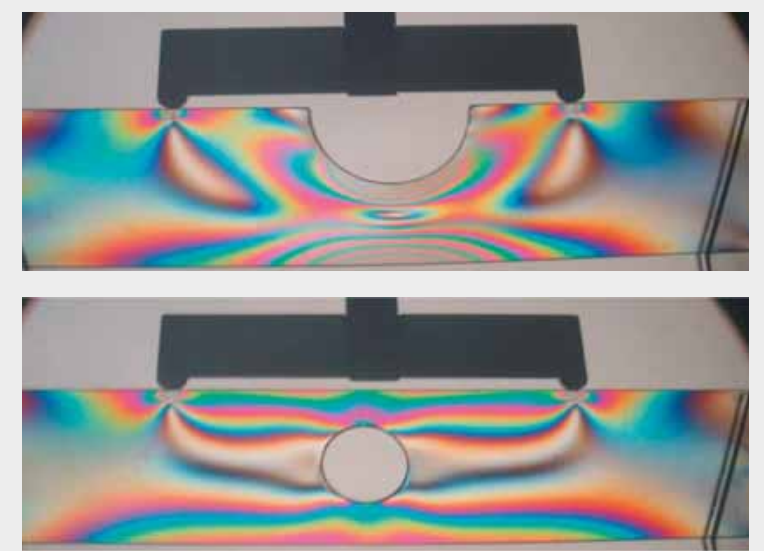
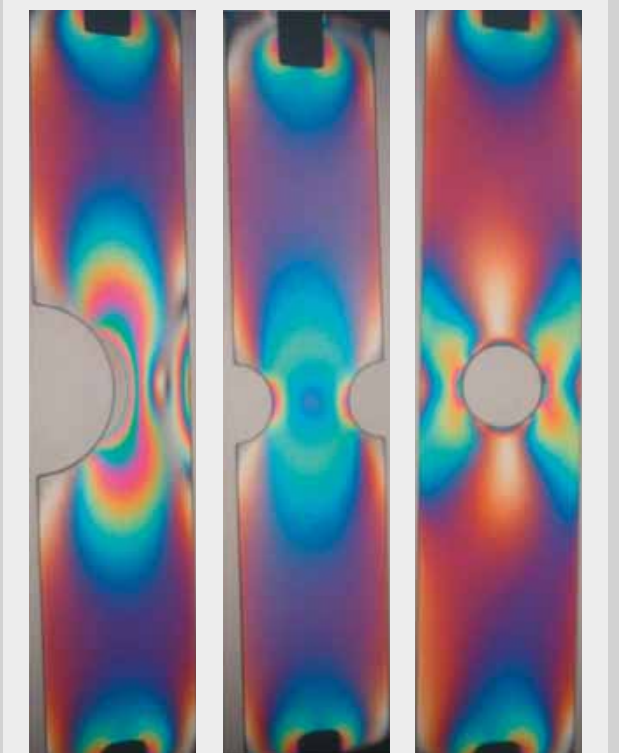
## Models for photoelastic demonstrations with an overhead projector (FL 210)


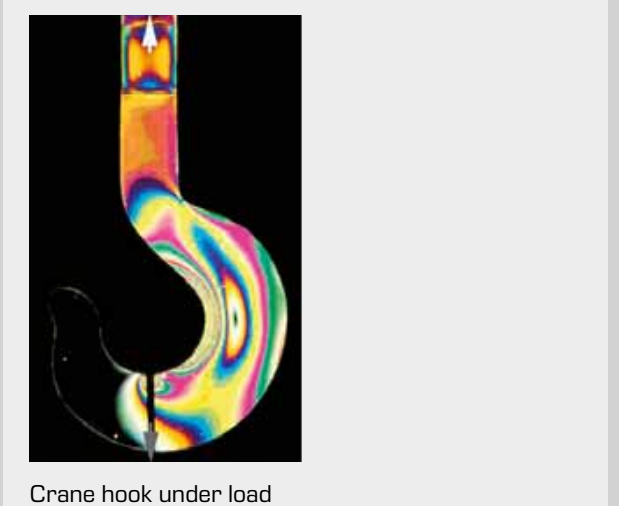


## Additional models as accessories

 <p><b>FL 210.10</b> Model – bolted connection</p>	 <p><b>FL 210.11</b> Model – roller bearing</p>	 <p><b>FL 210.12</b> Model – wrench with counterpart</p>	 <p><b>FL 210.13</b> Model – pinion</p>
---	--	--	--

## Models for photoelastic demonstrations and experiments under load (FL 200 and FL 210)

 <p>Bending load with constant moment</p>	 <p>Tensile load with stress concentration on cross-sectional contraction</p>
--	---

 <p>Bending load with central force and cross-sectional contraction</p>	 <p>Crane hook under load</p>
--	--