

TZ 110

Cylindrical models with cuts parallel to axis



The illustration shows the device and the GUNT Media Center on a tablet (not included).

Description

- **collection of cylindrical models with cuts parallel to the spatial axes**
- **introduction to engineering drawing**
- **systematically graduated degrees of difficulty**
- **part of GUNT DigiSkills learning projects**
- **multimedia instructional materials: PDF, DXF files, STEP files**

The GUNT DigiSkills 1 learning project includes various model sets, from the simple geometric model to models with real function. The geometric models of TZ 110 support the learning process in the introduction to engineering drawing: from the concrete body to the more abstract representation of the three views of an engineering drawing.

The collection contains 18 aluminium drawing models. The cylindrical models have cuts parallel to the spatial axis. The models are precision-manufactured and are suitable for measurement exercises as well as drawing exercises. For optimal learning, it is recommended that students work independently from each other on these exercises.

The models are clearly laid out in a storage system. Multiple storage systems can be stacked on top of each other for space-saving storage.

The contemporary didactic multimedia instructional materials are available online in the GUNT Media Center. The core element is a complete set of drawings in file form (DXF, STEP, PDF) for each model. A selection of different worksheets with solutions completes the instructional material.

Learning objectives/experiments

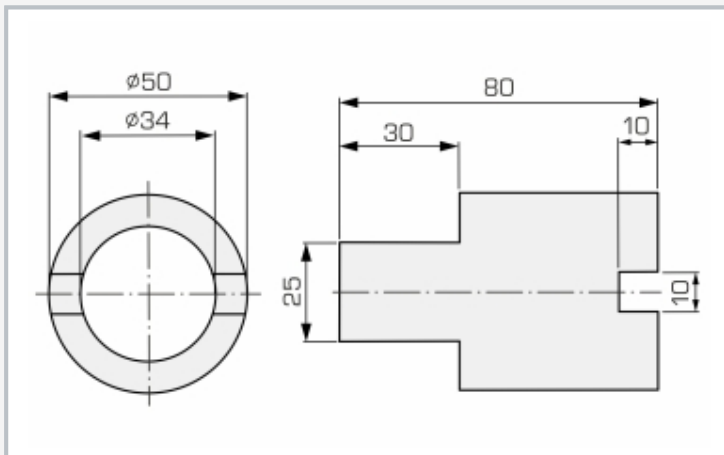
- **familiarisation with three-view display as a basic principle of engineering drawing**
- **step-by-step development of spatial thinking: from the concrete situation to the abstract representation in an engineering drawing**
- **systematic familiarisation with a wide range of features on cylindrical base forms**
- **exercises in production-oriented and standard dimensioning**
- **measurement exercises: outer dimensions, inner dimensions, tolerances**
- **develop digital skills**
 - ▶ retrieve information from digital networks and obtaining it from digital networks
 - ▶ use digital learning media, get to know Web Based Training (WBT) and use them
 - ▶ use assistance, simulation, diagnosis or visualisation systems, e.g. QR codes, CAD viewer tool

TZ 110

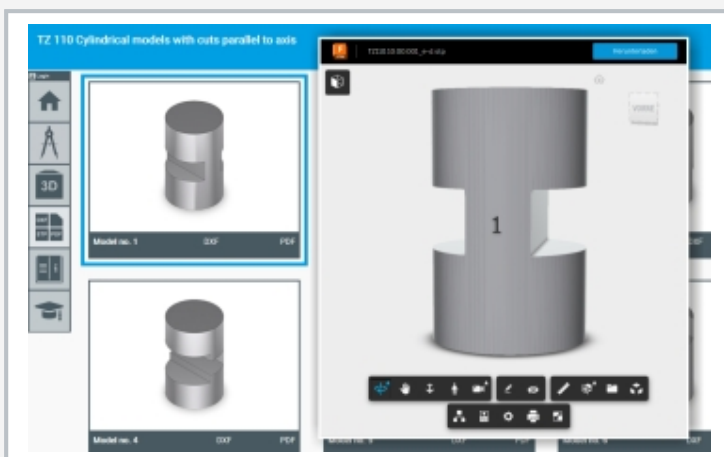
Cylindrical models with cuts parallel to axis



Cylindrical models with cuts parallel to the spatial axes



Dimensional drawing of model No. 3



Screenshot of the GUNT Media Center and CAD viewer tool

Specification

- [1] models providing an introduction to engineering drawing
- [2] set of 18 cylindrical models, made from aluminium
- [3] cylindrical models with cuts parallel to the spatial axes
- [4] finely graduated degrees of difficulty within the model series
- [5] all models clearly laid out in a storage system
- [6] multiple storage systems can be stacked on top of each other
- [7] precision manufacture of the models enables measurement exercises
- [8] lesson-supporting instructional material
- [9] multimedia instructional materials: PDF, DXF files, STEP files
- [10] online access to the GUNT Media Center
- [11] part of the GUNT DigiSkills: vertical teaching of digital skills in complex learning projects

Technical data

- 18 models
- dimensions approx. $\varnothing \times H$: 50x80mm
- material: aluminium, surface anodised

LxWxH: 600x400x100mm (storage system)
Weight: approx. 9kg

Scope of delivery

- 18 geometric models
- 1 online access to the GUNT Media Center with instructional material, complete set of drawings included
- 1 storage system with foam inlay