

ST 210

Sanitation fittings training panel



The illustration shows ST 210 without flushing valve and mixers.

Learning objectives/experiments

- familiarisation with sanitation fittings
- two handle mixers
 - ▶ wall fitting for a shower
 - ▶ stand fitting as water tap
- flushing valve
- investigation of function and operating behaviour
- together with additional sanitation fittings
 - ▶ comparison of products from different manufacturers

Description

- investigate the function and operating behaviour of common sanitation fittings
- mixer as wall fitting, mixer as stand fitting, flush valve
- flexible connection options for additional fittings

Sanitation fittings for kitchen or bathroom are available in a variety of shapes and with different functions. They have different properties, e.g. pressure loss or mixing temperature.

ST 210 can be used to investigate the function and operating behaviour of common sanitation fittings, such as mixer or flush valves.

The trainer has a branched pipe system with hot and cold water connection. Pressure reducing valves are used to adjust the water supply pressure. Flexible connecting hoses, a movable wall connection for different mixer sizes and a connection for flush valves are available as connection options for the sanitation fittings.

The unit includes a mixer as wall fitting, a mixer as stand fitting and a flush valve. The flexible connection possibilities allow other products to be studied.

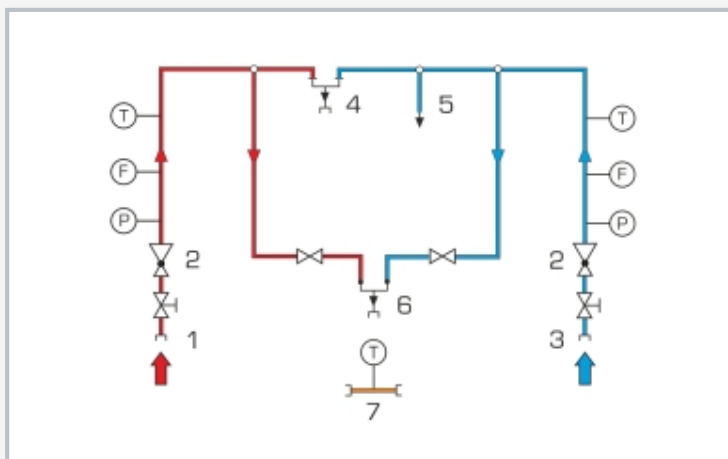
Sensors for pressure, temperature and flow rate are included in the cold and hot water supply. A temperature sensor that measures the mixing temperature is included in a separate pipe section, which is connected to the outlet of the fitting being investigated via a hose.

ST 210

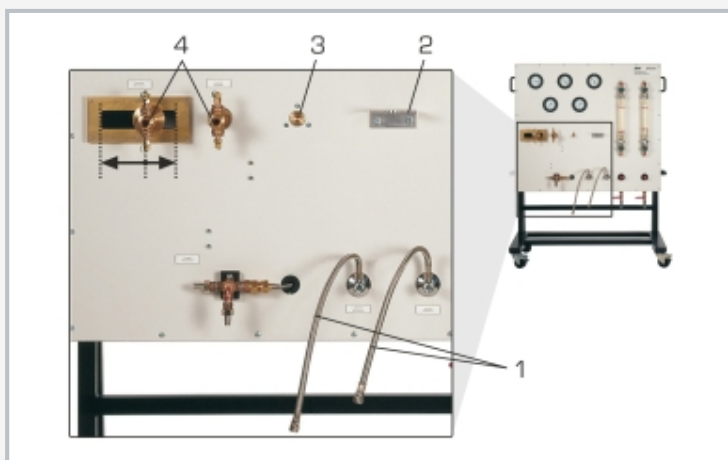
Sanitation fittings training panel



1 thermometer, 2 Bourdon tube pressure gauge, 3 two handle mixer for a shower, 4 flushing valve, 5 mixed water connection, 6 mixed water drain, 7 pressure reducing valve, 8 two handle mixer as water tap, 9 rotameter



1 hot water connection, 2 pressure reducing valve, 3 cold water connection, 4 wall fitting mixer with quick-release coupling, 5 flushing valve, 6 stand fitting mixer with quick-release coupling, 7 pipe section mixed water with quick-release couplings; F flow rate, P pressure, T temperature; red: hot water, blue: cold water, orange: mixed water



Connection options for sanitation fittings
1 flexible connecting hoses for stand fitting, 2 bracket for stand fitting, 3 connection for flush valves, 4 movable wall connection for mixers of different sizes

Specification

- [1] investigating common sanitation fittings
- [2] flushing valve, two handle mixer for a shower and two handle mixer as water tap are included
- [3] facilities for hot and cold water supply using quick-release couplings
- [4] pressure reducing valves to adjust the water supply pressure for hot and cold water
- [5] possibility to test different fittings simultaneously
- [6] connection options: flexible connecting hoses, movable wall connection and a connection for flush valves
- [7] dial thermometers for hot, cold and mixed water
- [8] Bourdon tube pressure gauges and rotameters for hot and cold water

Technical data

Flushing valve

- DN 20
- 1,2...5bar

Wall fitting mixer

- DN 15
- flow rate at 3bar: approx. 21L/min

Stand fitting mixer

- flow rate at 3bar: approx. 18L/min

Pressure reducing valve

- max. initial pressure: 25bar
- outlet pressure: 1,5...6bar, up to 70°C

Measuring ranges

- temperature: 2x 0...80°C, 1x 0...100°C
- pressure: 2x 0...6bar
- flow rate: 2x 160...1600L/h

LxWxH: 1300x700x1850mm

Weight: approx. 120kg

Required for operation

cold and hot water connection
drain

Scope of delivery

- 1 trainer
- 1 set of hoses
- 1 set of accessories
- 1 set of instructional material